

Techwell

TW2804

Multiple Video Decoders

For Security Applications

Introduction

The TW2804 includes four high quality NTSC/ PAL video decoders, which convert analog composite to digital component YCbCr for security application.

The TW2804 contains four 10-bit A/D and proprietary digital gain/clamp controllers and utilizes proprietary techniques for separating luminance & chrominance to reduce both cross-luminance and cross-chrominance artifacts.

The high performance dual scalers in each channel offer two differently scaled video outputs with 54MHz ITU-R BT.656 format for security system design. Four built-in motion detectors can also increase the feature of security system.

Features

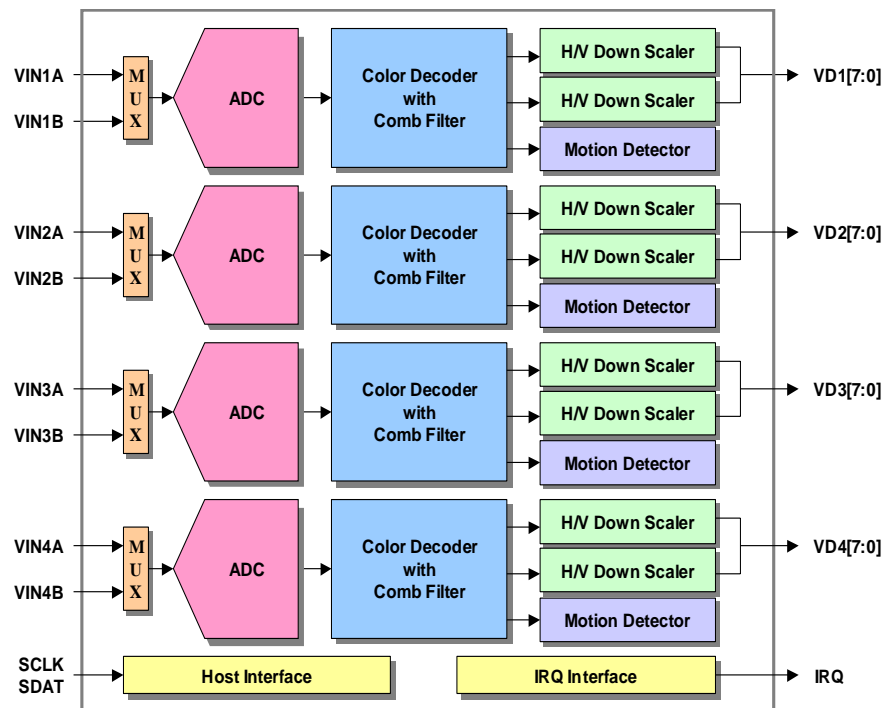
- Accepts all NTSC (M/N/4.43) / PAL (B/D/G/H/I/K/L/M/N/60) standard formats with auto detection
- Four 10-bit video CMOS analog to digital converters
- Adjust video level with proprietary automatic clamp and gain control system
- Proprietary architecture for locking weak, noisy, or unstable signals
- High performance adaptive comb for all NTSC/PAL standards
- IF compensation filter for improvement of color demodulation
- PAL delay lines for correcting PAL phase errors
- Programmable hue, saturation, contrast, brightness and sharpness
- Dual high quality horizontal and vertical down scaler for each channel
- Four built-in motion detectors for security system
- Supports the standard ITU-R BT.656 /8bit ITU-R BT.601 format
- Supports two differently scaled output mode with 54MHz ITU-R BT.656 format
- Supports a two-wire serial or parallel interface
- Low power consumption
- 128 PQFP package

Applications

- Quad Security System
- Digital Video Recorder (DVR)
- Security Channel Splitter System
- Car Rear Vision System



TW2804
128-pin PQFP package



TW2804 Block Diagram

631 River Oak Parkway, San Jose CA 95134

Tel: (408) 435-3888

Fax: (408) 435-0588

www.techwellinc.com